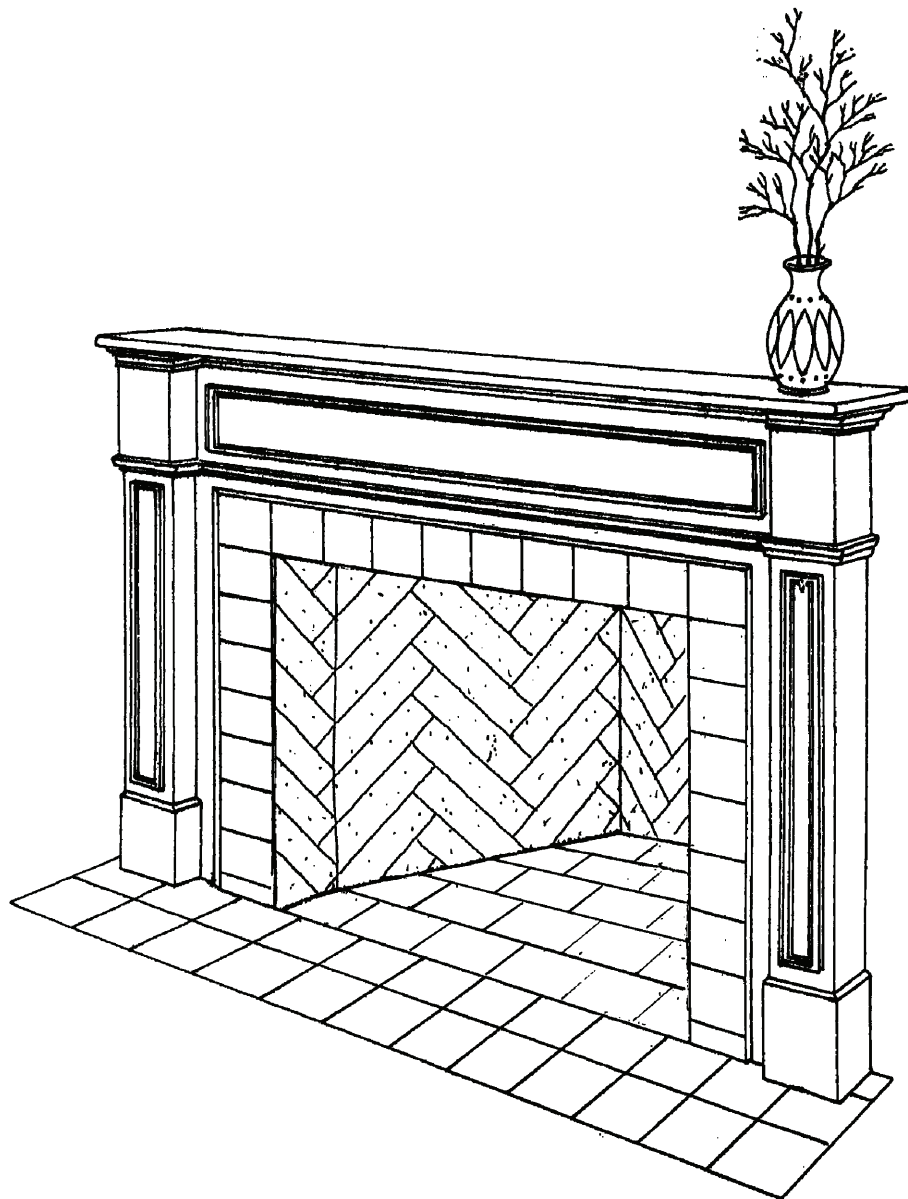




INSTALLATION MANUAL

FOR CONTEMPO FIREPLACES

MODELS: PFM36 - PFM42 - PFM48 - PFM60



WARNINGS AND GENERAL SAFETY PRECAUTIONS



IMPORTANT: THESE INSTRUCTIONS MUST BE LEFT WITH HOMEOWNER



ALL WARNINGS OUTLINED IN THIS MANUAL MUST BE STRICTLY ADHERED TO BY THE INSTALLER AND HOMEOWNER.
FAILURE TO FOLLOW these installation instructions will **VOID THE WARRANTY** and may cause a serious **FIRE HAZARD**.



This fireplace is to be installed by a professional certified by Contempo Fireplaces or by a locally licensed professional meeting the requirements of your local building authority.



Fully **READ** and **UNDERSTAND** all instructions carefully before beginning installation.



DO NOT modify your fireplace in any way. Any modification will void the warranty and create a potential fire hazard.



Before burning your first fire, fully read the "**Homeowners Operation Manual**".



Combustion Air Intake of fireplace must be kept clear of debris at all times.



Do not **store** or **use** flammable liquids or aerosols near this fireplace.



Never leave the fireplace burning while unattended.



Children should never be left unattended while the fireplace is in use.



WARNING: Only use approved chimney and termination systems outlined in this manual.



WARNING: This fireplace is **NOT** designed for wall termination. Fireplace must be vented vertically.

TABLE OF CONTENTS

Warning and Safety Precautions	2
1. Pre-Installation Requirements	4
Fireplace Dimensions	5
Clearance to Combustibles.....	5
Fireplace Location and Framing	6
2. Installation.....	7
Firebox Pedestal	7,8
Firebox assembly	8-10
Anchor Plate/Damper Assembly.....	10
Chimney Requirements	11
Installing the chimney	11
10 foot rule.....	12
Installing the Combustion Air System	13
3. Finishing.....	14
Masonry Board above Opening.....	14
Mantles.....	14
Hearth Extensions.....	15
Finishing Fireplace Interior.....	15
4. Part List and Warranty.....	16
Manufacturer Part Numbers.....	16
Warranty.....	17

Keep these instructions for future use.



This fireplace is to be installed **ONLY** by a professional certified by Contempo Fireplaces or by one of our licensed distributors or dealers.



Fireplace installation must be in compliance with local codes. Before installing the fireplace, consult the local construction industry to ensure that you are in compliance with all applicable codes, including permits and inspections.

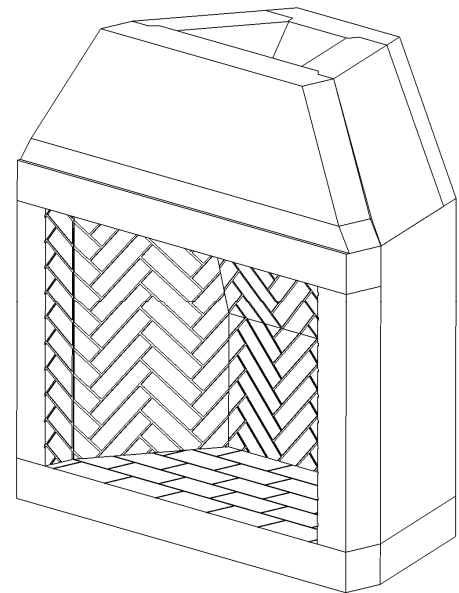
INTRODUCTION:

The Contempo Fireplace’s PFM Series are all masonry fireplaces featuring a precast herringbone brick pattern adjoined to a lightweight concrete backing. The firebox structure consists of 10 or 11 lightweight modular pieces. The brick pattern is available in 3 different colors to fit any style décor.

This fireplace uses a double wall air-cooled metal chimney system or a double wall insulated class “A” chimney system. See page 6 for specifications.

The chimney attaches to a heavy gauge steel anchor plate/ damper which must correspond to the correct chimney type.

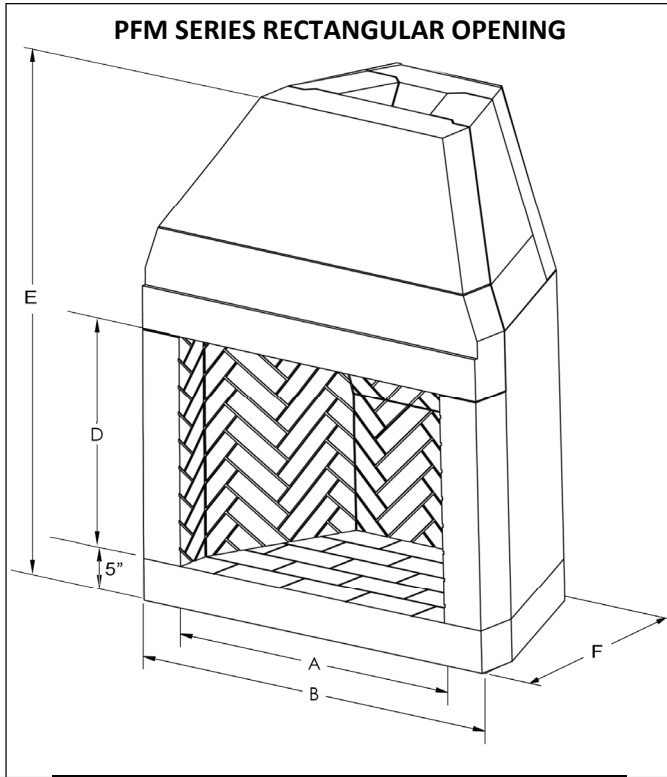
Due to its lightweight firebox and the metal chimney system, the CONTEMPO FIREPLACE weighs only 990 to 2000 pounds, and therefore, requires no footings and can even be installed on most wooden floors. Check with the area’s construction industry, architect, or engineer.



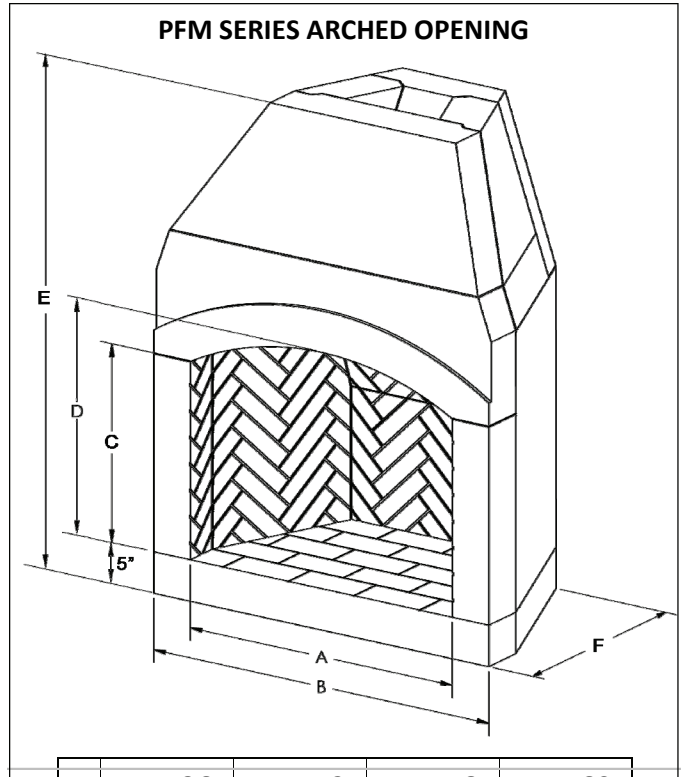
NOTE: All *warnings* are outlined in this manual and must be adhered to by the installer and the buyer. Failure to do so will nullify the manufacturer’s warranty, and may cause serious fire hazard.



FIREPLACE DIMENSIONS:



	PFM36	PFM42	PFM48	PFM60
A	36"	42"	48"	60"
B	46"	52"	58"	70"
D	27"	30"	32"	38"
E	60"	60"	60"	72"
F	27"	27"	27"	27"

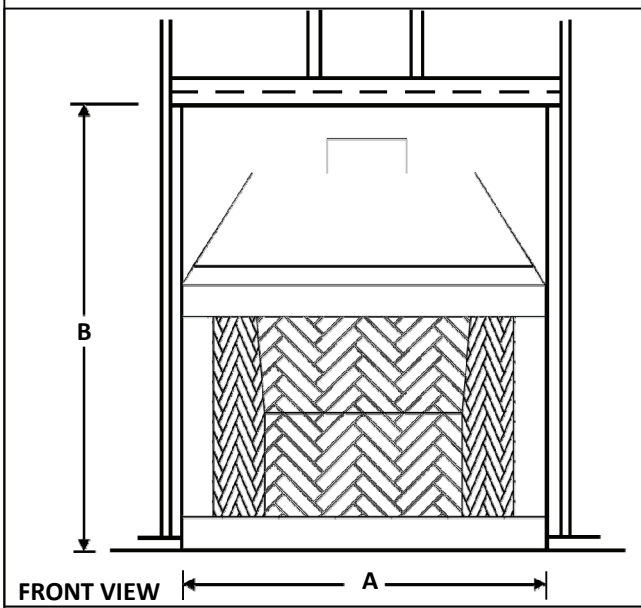
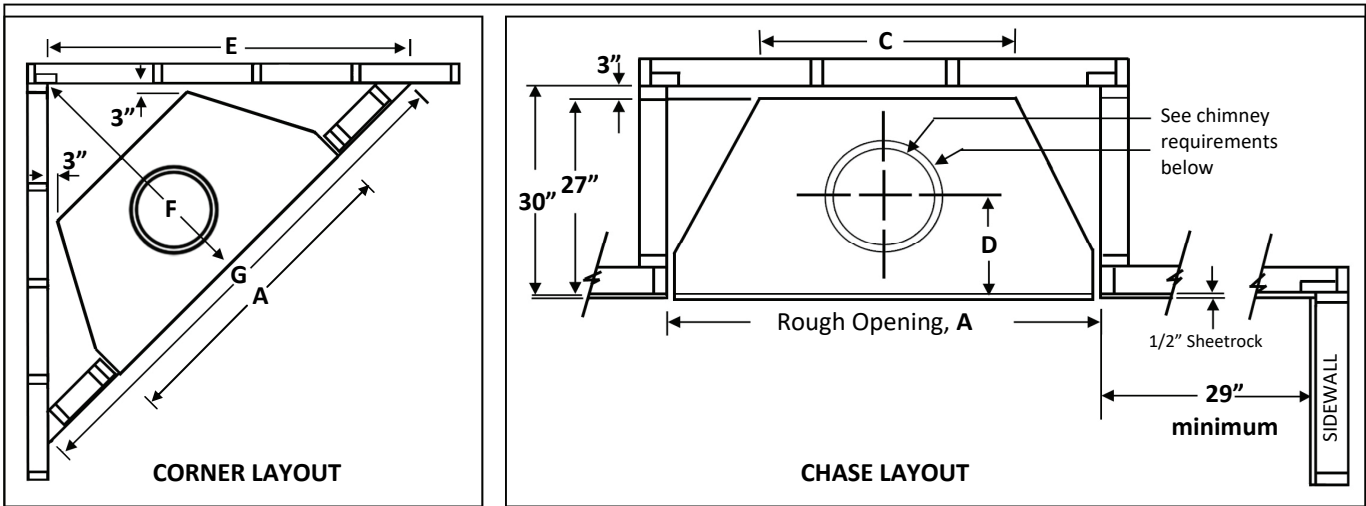


	PFM36	PFM42	PFM48	PFM60
A	36"	42"	48"	60"
B	46"	52"	58"	70"
C	22 1/2"	24"	24 1/2"	31 1/2"
D	27"	30"	32"	38"
E	60"	60"	60"	72"
F	27"	27"	27"	27"

MINIMUM CLEARANCE REQUIREMENTS :

Minimum Clearance To Combustibles	
Bottom of Firebox to Floor	8" of Masonry or 2.5" with heat shield
Sides to Flush Framing	0"
Fireplace Sides to Side Walls	29"
Back to Framing	3"
Top of unit to Header	23"
Fireplace Opening to Mantle	See page 15
Hearth Extension	See page 16

FIREPLACE FRAMING AND FIREPLACE LAYOUTS



	PFM36	PFM42	PFM48	PFM60
A	46"	52"	58"	70"
B	83"	83"	83"	95"
C	26"	32"	38"	50"
D	18"	8 3/4"	9 7/8"	9 7/8"
E	63"	69"	73"	81"
F	45"	48"	51"	57"
G	90"	97"	104"	114"

CHIMNEY CHASE REQUIREMENTS

Framing should be constructed of 2 x 4 lumber or heavier. Whenever carpet or padding is present, they should be removed including the total area of the hearth extension (see page 16). Firebox will be installed 1/2" in front of the framing so that installed 1/2" sheetrock will be flush with opening.

Fire-blocking is required between the joists in which the flue will be installed. An enclosed chase should be constructed with a minimum open clear space specified by *I.D. Chase Size* in TABLE 1, Page 11.

When an exterior roof chase is constructed (see FIG. 1), a 1/2" plywood or wafer board should cap the chase in which a minimum diameter circle, of 2" larger than the pipe diameter, should be removed, and over which the roof flashing should be centered and mounted.

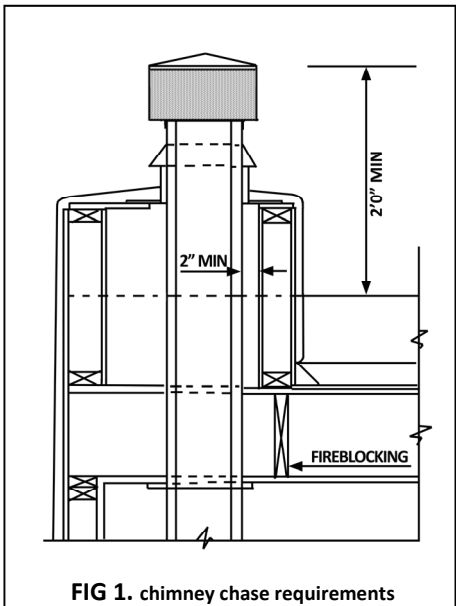


FIG 1. chimney chase requirements

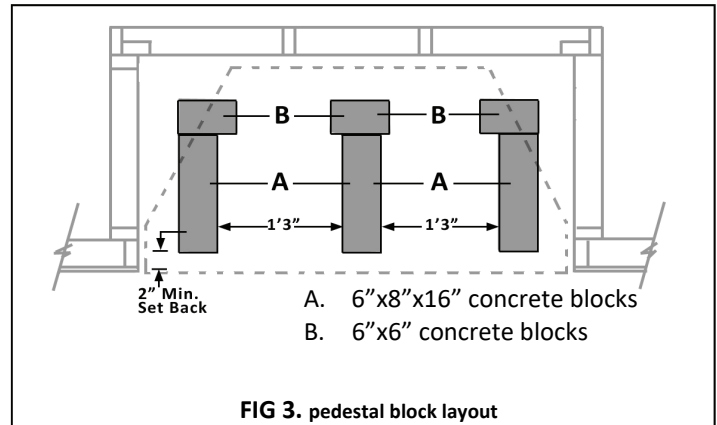
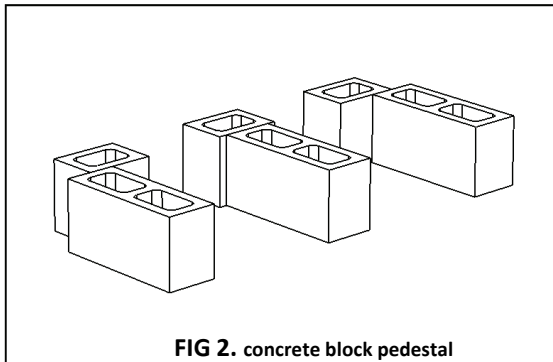
⚠ THE FIREPLACE CANNOT BE USED AS ANY PART OF A STRUCTURAL OR LOAD BEARING WALL.

WOOD FLOOR PEDESTAL INSTALLATION

When the fireplace is to be installed over a wood floor, a non-combustible pedestal for the firebox to rest on must be fabricated. If the bottom of the firebox is to be installed at a height of at least 8" from the wood floor, then the pedestal will be constructed using concrete blocks. If the firebox bottom will be installed between a height of 2 1/2" to 8" then a heat shield must be installed.

! The firebox must be set a minimum of 2 1/2" from combustible flooring and a heat shield used if lower than 8"

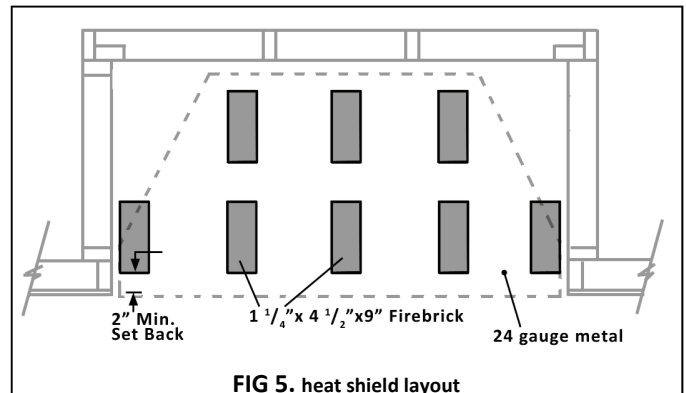
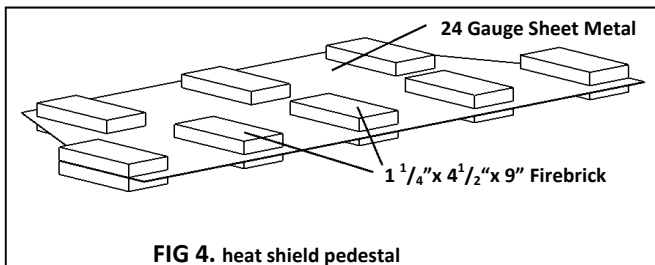
CONCRETE BLOCK PEDESTAL (Firebox base height of at least 8")



The firebox base thickness of 5" will be added to the block height. This will make the hearth elevation 13" when 8" blocks are used.

1. Set the concrete blocks on the floor exactly to the layout in **FIG 3**. The blocks should be stacked in the direction shown in **FIG. 2**. Mark around the blocks with chalk or a pencil. Remove the blocks and put mastic or mortar inside the marked line. Replace the blocks and allow the mortar to set while fireplace is assembled.

HEAT SHIELD INSTALLATION (Firebox base height of 2 1/2" to 8")



The heat shield consists of a 24 gauge piece of sheet metal, the size of the firebox, sandwiched between two 1 1/4"x 4 1/2"x 9" firebrick (or concrete block if additional height is required).

1. Start by cutting a 24 gauge of sheet metal to the size of firebox base. Next layout 1 layer of firebrick as shown in **FIG 5**. Mark around each brick with a pencil or chalk, and then remove the bricks. Spread a thin layer of mortar or mastic in the brick lines, and replace bricks. Now place sheet metal and second layer of firebrick as shown in **FIG 4**.

CONCRETE FLOOR PEDESTAL INSTALLATION

If the fireplace is being installed over a concrete floor, no pedestal or heat barrier is required for installation. The fireplace can be installed with the firebox base (step 1 of firebox assembly) directly on the concrete floor, resulting in a 5" hearth height. If an elevated opening of more than 5" is desired, follow the instructions for fabricating a pedestal on page 7.

FLUSH FLOOR INSTALLATION

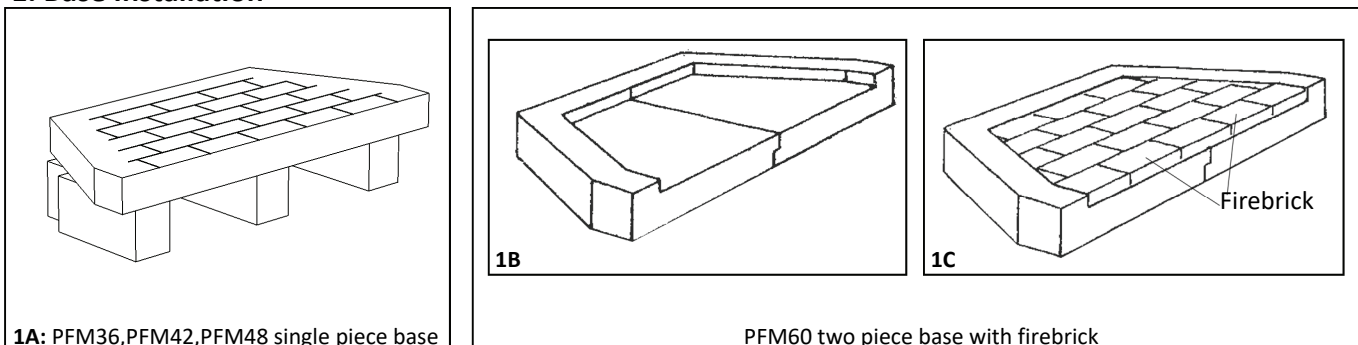
The base of the firebox (shown in step 1 below) can be omitted completely for a flush floor installation, and instead replaced with a layer of 1 1/4" thick firebrick. In this case, the firebrick would be mortared to the concrete floor, and firebox installation will start with step 2 of firebox assembly. This results in a 1 1/4" finished hearth.

FIREBOX ASSEMBLY PROCEDURE

The Contempo PFM Series Fireplace consists of 9, 10, or 11 modular lightweight pieces (depending on the model). A Contempo Installation Carriage is available from your dealer if assembling the fireplace in the final position is not possible. When the Carriage is used, the fireplace will be assembled on the carriage following the same procedures outlined below, and then moved into the final position using a pallet jack.

The installation procedure that follows, outlines a typical installation with a finished hearth elevation of 13" (8" pedestal + 5" firebox base).

1. Base Installation



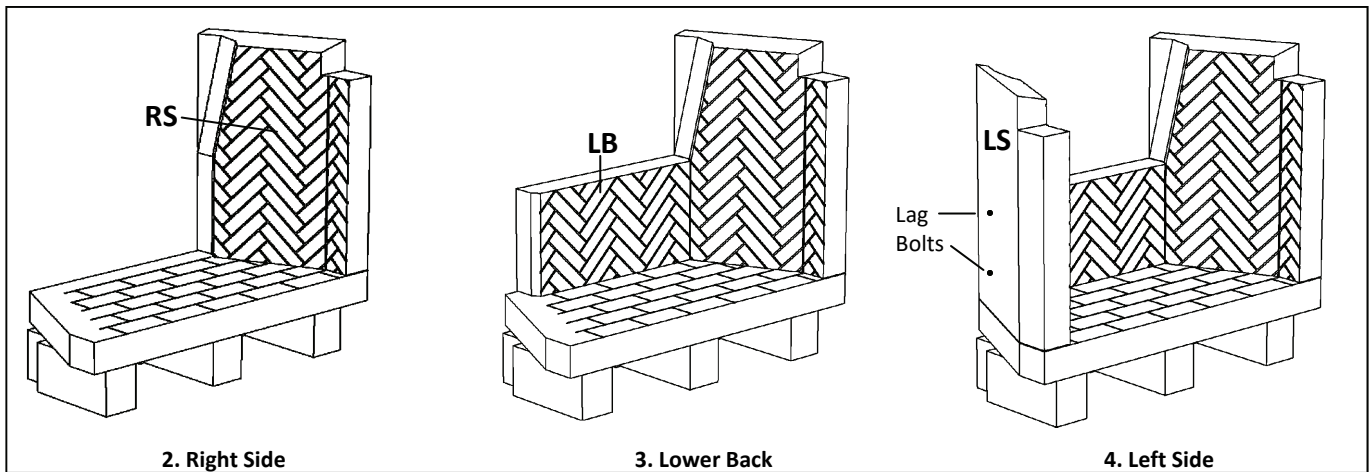
1A. Start by spreading a thin layer of supplied fireplace mortar on the pedestal or concrete floor. For models PFM36, PFM42, and PFM48—set the base on the pedestal and firmly press down spreading the mortar (as shown in 1A).

1B, 1C. For model PFM60 the base will consist of 2 keyed sections (1B) and supplied pre-cut firebrick (1C). Spread a thin layer of supplied fireplace mortar on the block pedestal, and then set the right base (protruding key section on bottom) section in place. Place fireplace mortar on the key joint and set the left base section. Next, install the split firebricks. They have been pre-cut to fit into the base. Beginning with the front row, spread fireplace mortar on the inside base with a 1/4" x 1/4" grooved tile applicator. Place the first brick over the center joint and lay the bricks in a running pattern.

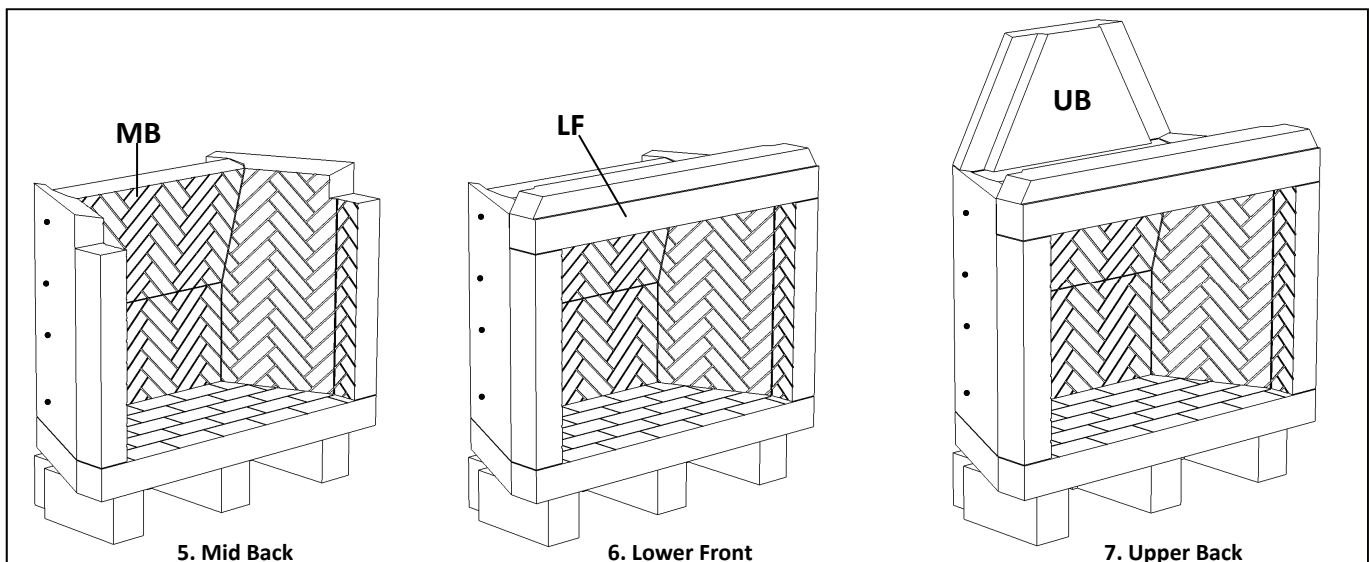


The base should be 1/2" in front of the chase, so when 1/2" sheetrock is installed it will be flush with the fireplace face.

FIREBOX ASSEMBLY PROCEDURE (continued)

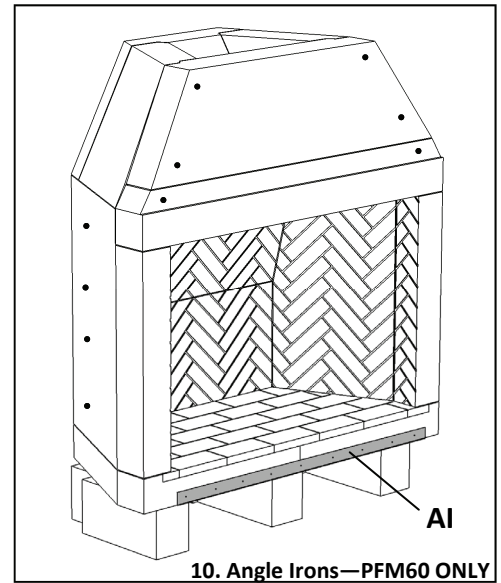
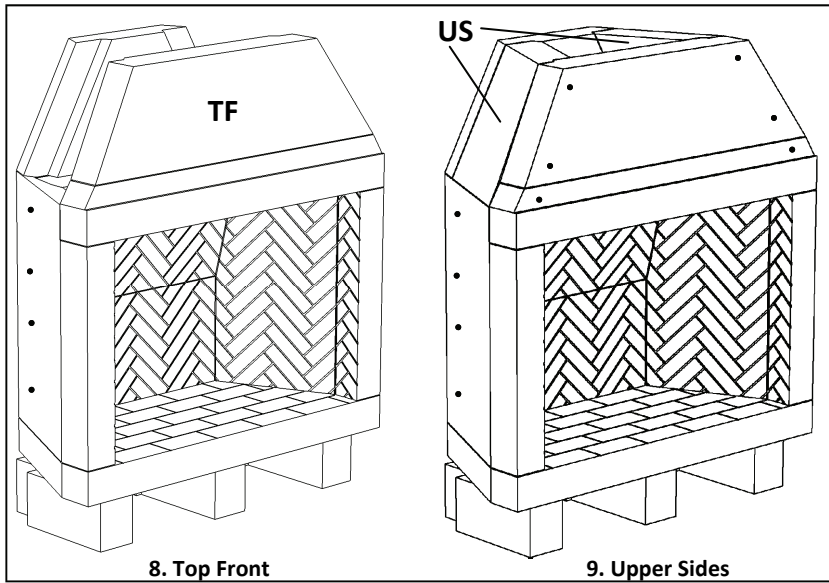


2. Spread a thin layer of fireplace mortar on the outside 4" of the base. The side section is then lifted into place and carefully aligned with the outside edge of the base. Until the mortar sets, this section can easily be moved. Therefore, caution should be used when setting the next section.
3. Apply fireplace mortar to the sides of the first back sections. The brick herringbone pattern creates a right triangle facing up. If it is not placed properly, the pattern will not line up with the side sections pattern. Secure the side section to lower back section (LB) with two $\frac{1}{4}$ " x 5" lag bolts. Screw bolts through side section into back section. Do not over-tighten. Do not put bolts closer than 2" from any outside edge.
4. Set the second side section into place and align with the base and back section. Secure this section to the back section with 2 - $\frac{1}{4}$ " x 5" lag bolts as per instructions in #3. Locate as indicated in the illustration by black dots.



5. Now the second back section (MB) is ready to be set into place. Spread fireplace mortar on the joining edge of both side sections and on the top of the first back section. Lift and set this section on the back edge of the lower back section and tilt into place. Secure with four bolts on both sides, as indicated.
6. Apply fireplace mortar only to the top of both side sections on the drop down portion. Set the first top section into place and align with the front of the fireplace. On the flanges of this section, in the cavity that receives the top-side section, screw an anchor bolt straight down into the side sections.
7. Spread fireplace mortar on top of the second back section, then lift and set into place the third top section. Because this section is tilted in, screw a piece of plywood onto the second section and also into the top back section to hold in place until the top side section can be set into place.

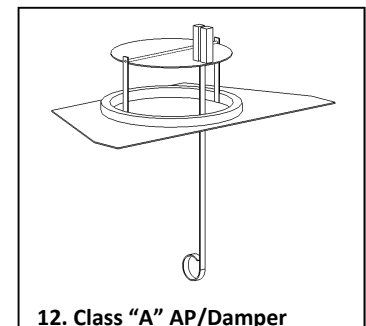
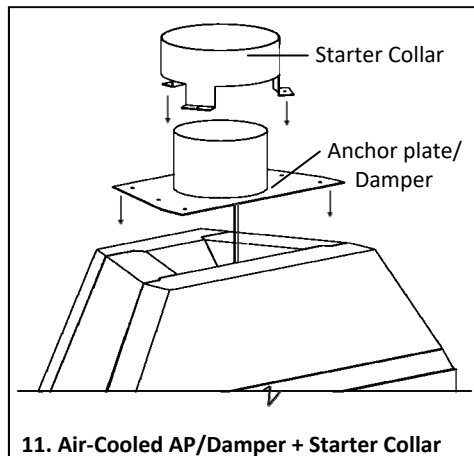
FIREBOX ASSEMBLY PROCEDURE (continued)



8. Apply fireplace mortar to the top of the uppermost front section. Set the final front section in place aligning the sides and back of the piece with the piece directly below.
9. Now the last two side top sections are ready to be set into place. Spread fireplace mortar on top of the first side sections and also onto the front and back sections on the joining edge. Lift the side top sections into place and adjust into place. Bolt the additional topside sections to top back section, and then remove plywood brace. Push topside section so it fits tight to the front sections, and then bolt as indicated.
10. **PFM60 Only** - If the fireplace was not assembled in its final position, the 2 supplied angle irons must be secured to the firebox before the fireplace is moved! Attach the angle irons by screwing the supplied gold 2½" screws through the holes in the angle iron and into the fireplace base. Do not over-tighten the screws.

ANCHOR PLATE/ DAMPER AND STARTER COLLAR INSALLATION

11. **Air-Cooled Chimney:** Position the anchor plate/damper with chimney starter collar over the opening on the top section of the firebox, centering over the opening. Trace the outer edge of the anchor plate. Using a ¼" masonry drill, drill into the firebox top through the holes in the plate. Apply a bed of refractory mortar between the anchor plate and top of firebox. Secure the plate with four ¼" dia. x 2" long lag bolts.



Next install the chimney starter. Set the chimney starter over the damper, then secure the starter to the anchor plate with gold, 2½" screws.

12. **Class "A":** For class "A" insulated chimney, the damper and starter collar will be in one piece. Apply a layer of refractory mortar on top of the firebox and set the damper in place. Pre-drill the holes with a ¼" masonry drill bit, then secure with ¼" dia. x 2" lag bolts. Be careful not to over-tighten.

CHIMNEY REQUIREMENTS

WOOD BURNING

For minimum chimney sizes and types see table below. Certified equivalents tested and listed to UL Test Procedure 103, and ULC S604 rated to 1700°F or 2100°F may also be used if minimum chimney diameter is adhered to.

	Chimney Type and Sizes	Minimum Clearance	I.D. Chase Size
PFM36	12" ID/15" OD Air-Cooled (FMI or Vanguard 12DM, Lennox FTF13, Simpson Durachimney II) 12"ID/14" OD Class "A" (ICC 12"RIS, Duratech 12")	2"	20"x20"
PFM42	12" ID/15" OD Air-Cooled (FMI or Vanguard 12DM, Lennox FTF13, Simpson Durachimney II) 12"ID/14" OD Class "A" (ICC 12"RIS, Duratech 12")	2"	20"x20"
PFM48	14" Air-Cooled (Simpson Durachimney II) 14"ID Class "A" (ICC 14"RIS, Duratech 14")	2"	22"x22"
PFM60	16" Air-Cooled (Simpson Durachimney II) 16"ID Class "A" (ICC 16"RIS, Duratech 16")	2"	24"x24"

TABLE 1. chimney requirements

CHIMNEY INSTALLATION

This installation will outline a typical chimney installation using 12" double wall air-cooled chimney. For specific installation instructions for class "A" chimney, refer to the chimney manufacturers installation manual.

WARNING: Do not install chimney smaller than the required minimum.

Each double wall chimney section consists of an outer pipe, flue pipe and one wire spacer. The pipe sections are not pre-assembled and must be assembled piece by piece as the chimney is installed. When starting the chimney directly on the fireplace, the flue pipe section must be installed first with the hemmed end down. The outer pipe section can then be installed over the flue pipe section with the hemmed end up. See FIG 6.

1. Place one elbow, without straps, into the damper and slide the inner pipe down to the raised rim. Press down on each pipe section until the lances on the lower end securely engage the knurl on the fireplace. Secure the damper to the inner pipe by using supplied self-drilling screws. Then place the outer pipe into the starter collar and secure with screws. The wire spacer will assure the proper spacing between the inner and outer pipe.

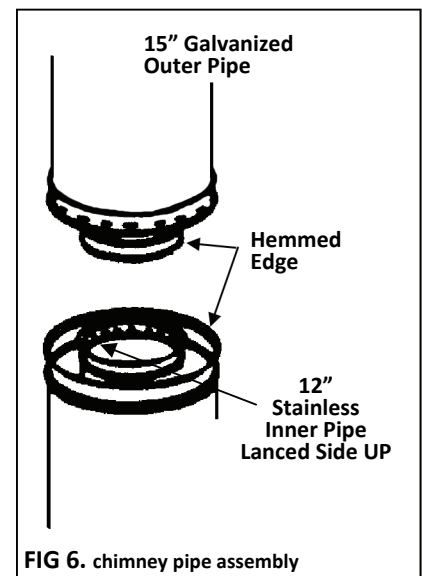


FIG 6. chimney pipe assembly

WARNING: THE OPENINGS IN THE COLLAR AROUND THE FIREPLACE MUST NOT BE OBSTRUCTED. NEVER USE BLOWN INSULATION TO FILL THE CHIMNEY

2. Attach the elbow with straps to the flue section that will be used to connect the elbows. **Make sure this elbow is connected to the flue section in the right direction.** Attach these two sections to the elbow on the anchor plate/damper and starter collar. Align the top elbow to the hole you have already cut into the ceiling. Then, secure the straps to the walls to hold the assembly in place. These support straps will need to fully support all vertically installed chimney.

To achieve desired offset you may install combinations of 12", 18", 24", 36", and 48" lengths in-between elbows.

CHIMNEY INSTALLATION (continued)

3. The remaining straight flue sections required to reach the building code approved height should be attached one at a time as they are lowered from above and secured to the elbow on the firebox. Once the whole flue is in position, attach the assembled straight flue sections to the top elbow, thereby completing all flue connections. **Make sure that both inner and outer pipe sections are locked; when installing double wall "snap lock" chimneys, it is important to ensure that the joint between the chimney sections is locked.** Check by pulling chimney upward after locking: the chimney will not pull apart if it is properly locked. Screws are not necessary to keep the chimney together. If chimney is 30' or higher, a support section provided by the chimney manufacturer is required after a straight chimney above the fireplace run, or above a return elbow after a straight chimney run. The support is designed to relieve the extra weight load on the fireplace and elbows when high chimneys are installed. See FIG 7.

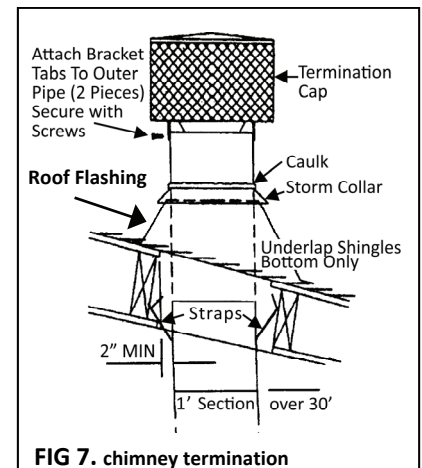


FIG 7. chimney termination

NOTE: All pipe joints between offset elbows shall be secured with two screws ONLY through the outside pipe. DO NOT penetrate the inner pipe.

5. Firestop spacers are required at each point where the chimney penetrates a floor or ceiling joist space. Their purpose is two-fold: they establish and maintain the required clearance between the chimney and combustible materials, and they also provide complete separation from one floor space to another floor or attic space as required by most codes. When penetrating a floor or ceiling at an angle, the appropriate approved firestop should be used.

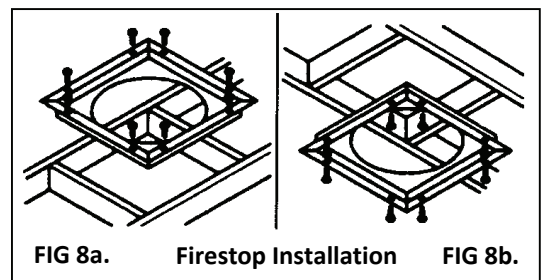


FIG 8a.

Firestop Installation

FIG 8b.

When the double wall pipe passes through a framed opening into an attic space, the firestop must be placed in the attic floor. FIG 8a.

When the double wall pipe passes through a framed opening into living space above, the firestop must be placed onto the ceiling from below. FIG 8b.

6. Now you are ready to install the termination cap, and storm collar. First install the storm collar around the exterior of the flue section extending above the roof flashing. Tighten and slide down over the top of the roof flashing, secure and seal. Install the termination cap as per manufacturer's instructions. See FIG 8.

10-FOOT RULE

All chimney terminations must extend a minimum of 3' above the highest point where it passes through the roof and must be at least 2' above the peak of the roof if within a horizontal distance of 10' from the peak. See FIG 9.

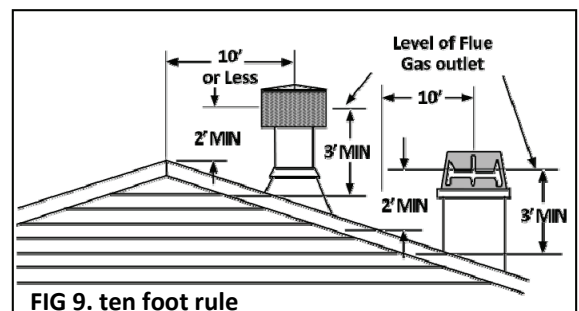


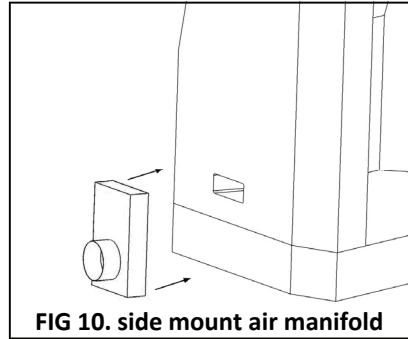
FIG 9. ten foot rule



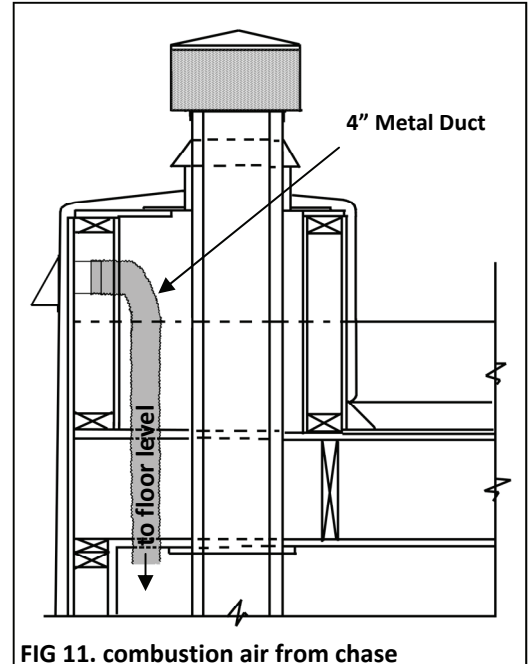
WARNING: INSTALL ONLY THE TERMINATIONS OUTLINED IN THESE INSTRUCTIONS. A SERIOUS FIRE HAZARD COULD EXIST IF USING NON-LISTED TERMINATIONS. THIS CHIMNEY SYSTEM IS **NOT** INTENDED FOR WALL TERMINATION

COMBUSTION AIR SYSTEM INSTALLATION

1. An outside combustion air kit is required to be installed for Gas Conversions, and is recommended for wood burning. Your local codes may require outside combustion air for wood burning. Connect the side-mount air manifold to the side of the firebox using supplied screws (FIG 10).

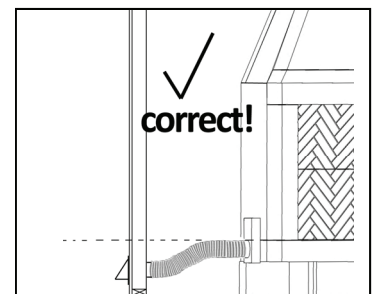
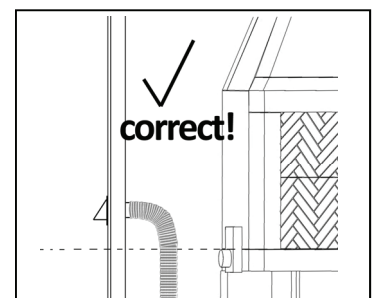
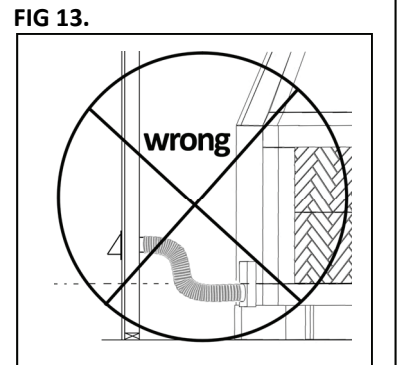


2. Cut a hole and mount the 4" dryer vent on the exterior wall or on the side of the roof mounted chase as shown in FIG 11.
3. Connect the supplied 4" aluminum flex tubing to the end of the dryer vent and secure using aluminum tape or screws.



- 4a. If the dryer vent is mounted above the height of the base of the firebox, let the open end of the aluminum tube hang unconnected, near the floor. **DO NOT CONNECT OPEN END TO THE FIREPLACE.** See FIG 12.

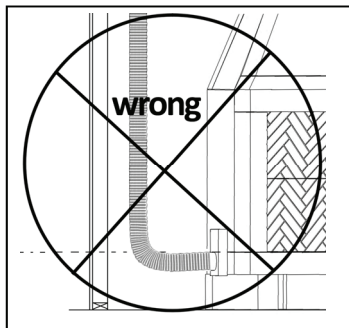
- 4b. If the dryer vent is mounted on an exterior wall, and is located below the height of the fireplace base, then connect the aluminum tube to the side-mount air manifold on the firebox. FIG 13. **Aluminum tubing should only be connected to fireplace if dryer vent is below fireplace base.**



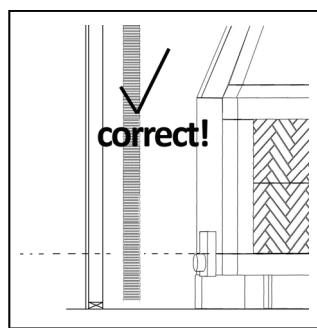
WARNING: COMBUSTION AIR SUPPLY DUCTS SHOULD NEVER TERMINATE IN ATTIC SPACES.

FIG 12.

Do not connect free end of aluminum flex tubing to fireplace if penetration to the exterior is above fireplace base.



DO NOT CONNECT aluminum duct to fireplace if vent opening is above fireplace base!



Aluminum duct should remain unconnected near the floor below fireplace opening.

FINISHING THE FIREPLACE

COVERING AREA ABOVE FIREPLACE

The area directly above the fireplace is to be covered with 1/2" masonry board (see FIG 15) NOT SHEETROCK or any other combustible material. This area extends from the 1/2" protruding lip on the firebox face to the header height outlined in the Front View on page 6.

When Installed, the masonry board will be flush with the fireplace front. Sheetrock can then be installed flush with the sides of the fireplace, and above the masonry board.

The fireplace is not designed to support any load. If you are finishing the fireplace with heavy material such as stone, this material load should be transferred to the floor or surrounding framing.

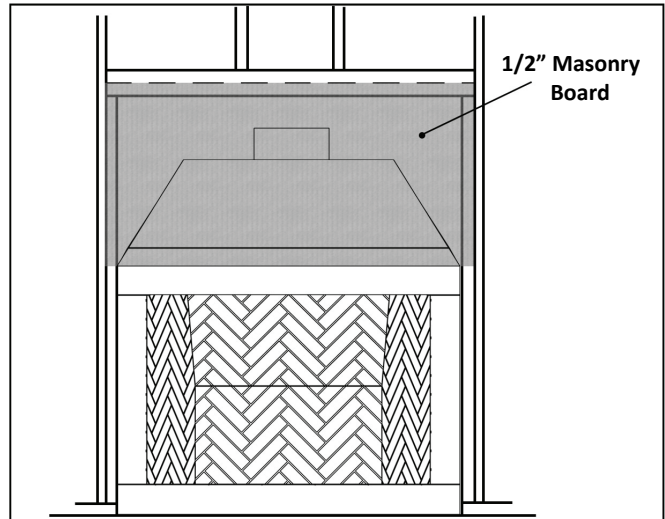


FIG 15. masonry board covering

COMBUSTIBLE MANTEL REQUIREMENTS

For depths and heights of mantels and other combustible material positioned directly above the fireplace opening refer to FIG 16.

For dimensions of mantel sizes not listed in the table in FIG 16, you may use the formula:

$$Depth = (Height \text{ from opening}) \times 0.43$$

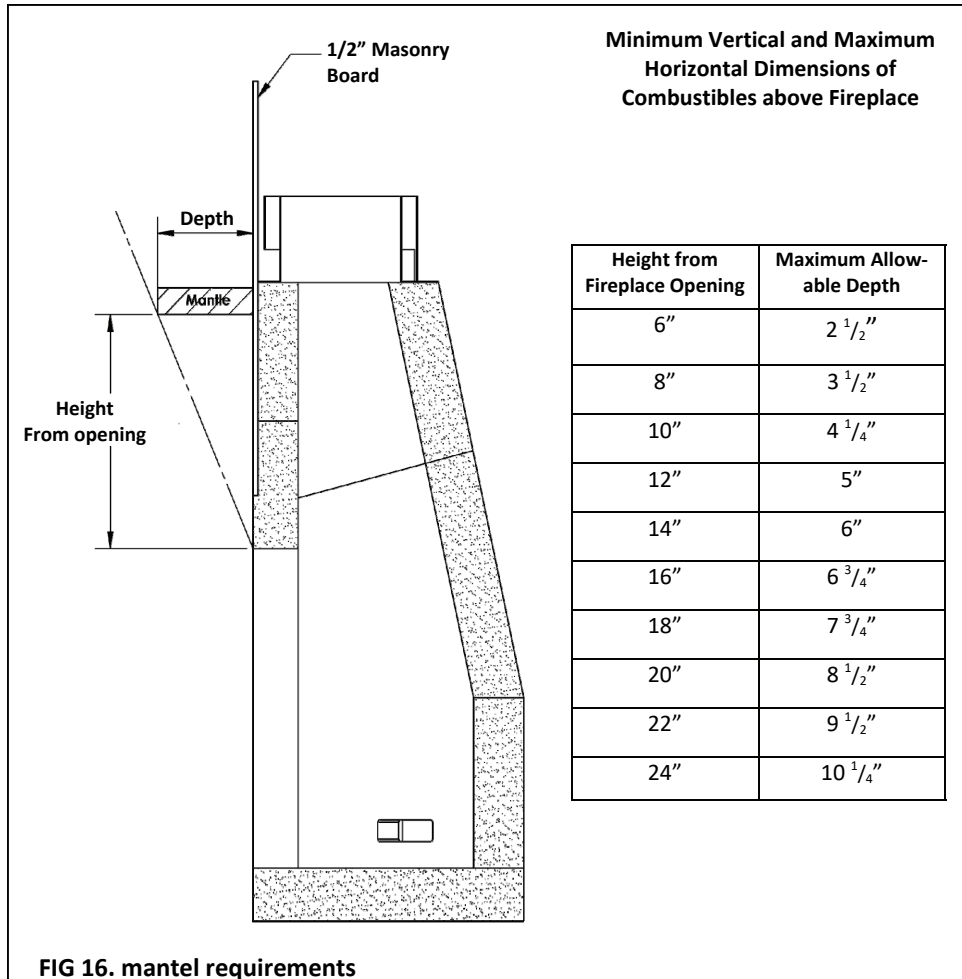


FIG 16. mantel requirements

HEARTH EXTENSION REQUIREMENTS

HEARTH EXTENSION ON WOODEN FLOORS

When the fireplace is installed over a wood flooring, a non-combustible hearth extension must be constructed. This extension must be the same thickness as the heat shield or block pedestal that was fabricated to support the fireplace (see page 8).

Model	A	B	C		D
			Block Pedestal	Heat Shield	
PFM36	60"	24"	13"	7½"	7"
PFM42	66"	24"	13"	7½"	7"
PFM48	72"	24"	13"	7½"	7"
PFM60	84"	24"	13"	7½"	7"

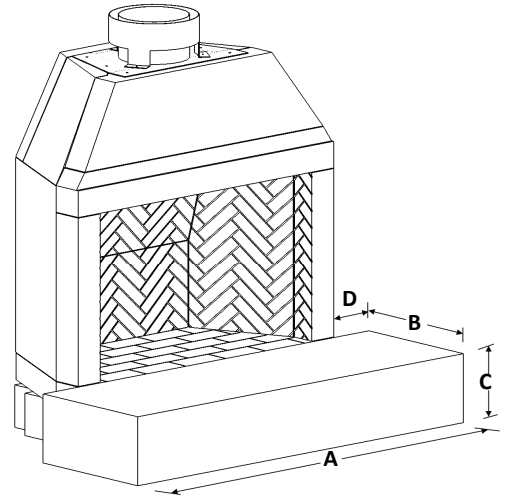


FIG 17. hearth extension requirements

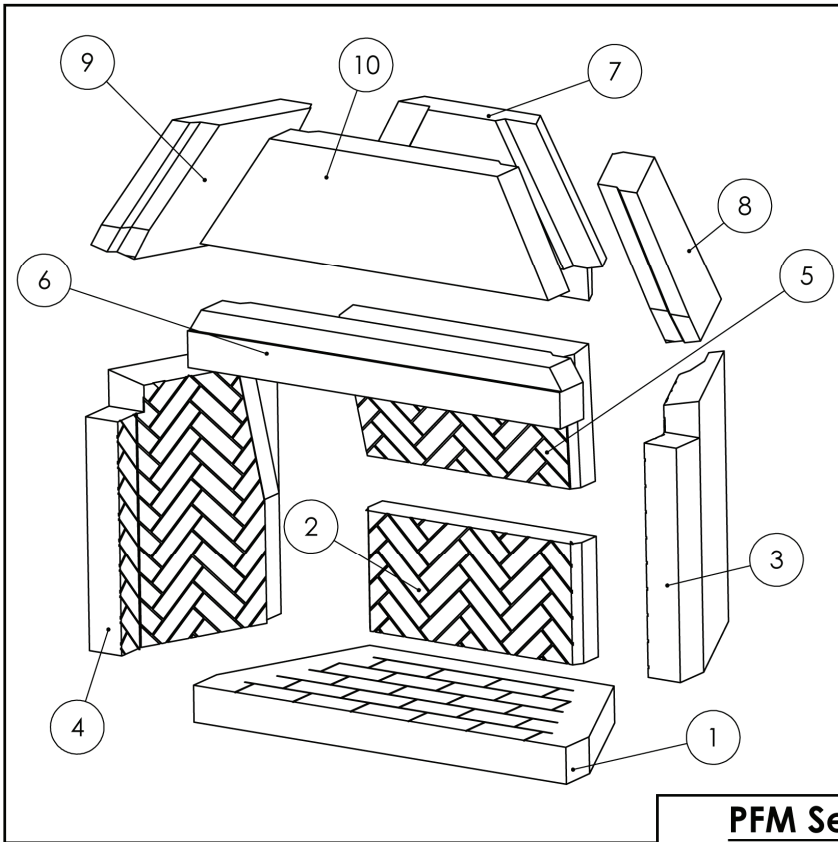
HEARTH EXTENSION ON CONCRETE FLOORS

The hearth extension on concrete floors that have been carpeted must conform to the same size as indicated for the wood floor extensions. If the fireplace is set flush with the floor on split firebricks, a tile or stone hearth extension the same size must be maintained when the floor is carpeted. If the floor is covered with total non-combustible material, this does not apply.

FINISHING FIREPLACE INTERIOR

Supplied with the fireplace is a can of liquid sealer, and a small paint roller. These are used to coat the brick interior of the fireplace after it has been installed. This optional step is purely for aesthetics, but provides a darker, slightly wet look to the bricks.

Manufacturer Part Numbers



PFM Series Replacement Part List

Drawing Number	Description	Mfg. Part Number
1	Base	RP(size)B(color)
2	Lower Back	RP(size)LB(color)
3	Lower Right Side Rectangular Lower Right Side Arched	RP(size)LRSR(color) RP(size)LRSA(color)
4	Lower Left Side Rectangular Lower Left Side Arched	RP(size)LLSR(color) RP(size)LLSA(color)
5	Mid Back	RP(size)MB(color)
6	Lower Front Rectangular Lower Front Arched	RP(size)LFR(color) RP(size)LFA(color)
7	Upper Back	RP(size)UB(color)
8	Upper Right Side	RP(size)URS(color)
9	Upper Left Side	RP(size)ULS(color)
10	Upper Front	RP(size)UF(color)

Specify size (36, 42, 48, 60) and color (DT, PG, RD) when ordering. DT=Desert Tan, PG=Pacific Gold, RD=Colonial Red

WARRANTY

For warranty claims or service, contact the dealer from where the fireplace was purchased.



CONTEMPO LLC. HEREIN WARRANTIES THE COMPLETE MASONRY FIREBOX AND METAL ACCESSORIES AGAINST ANY DEFECTS. ANY DEFECTS DUE TO SHIPPING OR MANUFACTURING MUST BE REGISTERED AT THE TIME OF DELIVERY. IF THE PRODUCT IS UNACCEPTABLE DUE TO DAMAGE OR DEFECT, THE PRODUCT MUST BE UNACCEPTED AND RETURNED BY THE SAME SHIPPER IN ORDER TO MAKE THIS WARRANTY VALID.

CONTEMPO LLC. WILL NOT BE RESPONSIBLE FOR ANY ASSERTED DEFECT, WHICH HAS BEEN RETURNED DUE TO NORMAL WEAR, MISUSE, ABUSE OR REPAIR OR ALTERATION MADE OR SPECIFICALLY AUTHORIZED BY ANYONE OTHER THAN CONTEMPO OR A CONTEMPO REPRESENTATIVE.

THIS WARRANTY DOES NOT COVER HAIRLINE CRACKS IN THE FIREPLACE. SUCH CRACKS ARE CONSIDERED NORMAL WEAR AND TEAR AND ARE COMMON TO ALL MASONRY PRODUCTS AND IN NOWAY EFFECT THE OPERATIONAL FUNCTION, NOR SAFETY OF THE FIREPLACE.

CONTEMPO LLC. IS NOT REPOSNSIBLE FOR ANY DEFECTS DUE TO IMPROPER INSTALLATION OR FIREPLACE FINISHING. THIS WARRANTY IS CONTEMPO'S SOLE WARRANTY AND SETS FORTH THE CUSTOMER'S EXCLUSIVE REMEDY, WITH RESPECT TO IT'S DEFECTIVE PRODUCTS; ALL OTHER WARRANTIES EXPRESSED OR IMPLIED DUE TO INSTALLATION OR FINISHING, ARE EXPRESSLY DISCLAIMED BY CONTEMPO.